

HJBMX 35 M4 0,18kW Zone 1: FAN (Ex h IIB+H2 T4 Gb) + MOTOR (Ex db IIC T5 Gb) (268363103XD)

GENERAL DATA



ATEX SQUARE WALL PLATE FAN WITH VARIABLE PITCH BLADES

MANUFACTURING FEATURES

- Square plate made of inox steel AISI 304.
- Variable pitch angle PAGAS (PA6 GF30 AS) impeller.
- Supplied with galvanized motor support and protection guard according to the ROHS 2002/95/EC Directive (Restriction of the Use of Certain Hazardous Substances in Electrical and Electronic Equipments).
- ATEX standard asynchronous motor. ATEX certified: II2G Ex d, Standard voltages 230V 50Hz for single phase motors, 230/400V 50Hz for three phase motors. IP55 protection.

APPLICATIONS

Designed for wall assembly, they are suitable for:

- Air renewal in buildings and industries.
- Smoke extraction (max. 60°C).
- General ventilation in closed environments classified as ATEX.
- Working temperature: ambient from -20°C to 60°C

UNDER REQUEST

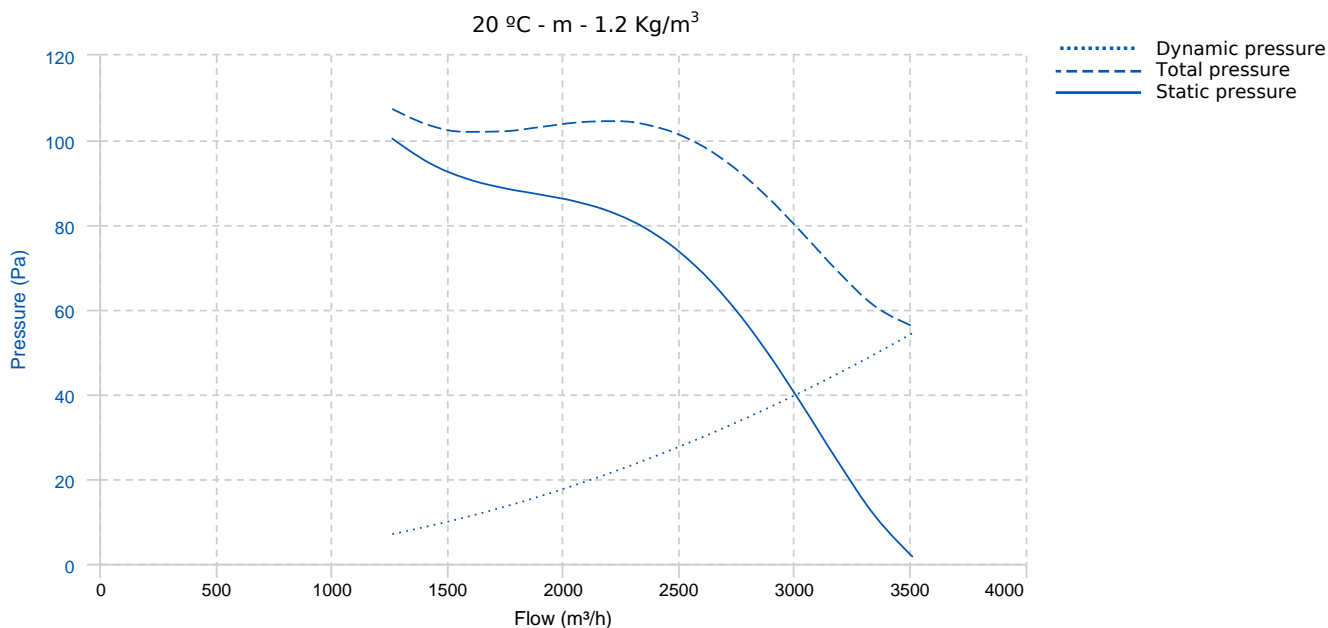
- 60Hz fans and special voltages.
- Stainless protection grid.

ORGANISM: L.O.M.

CERTIFICAT N°: LOM 17.755X-C

In compliance with the Directive 2014/34/UE

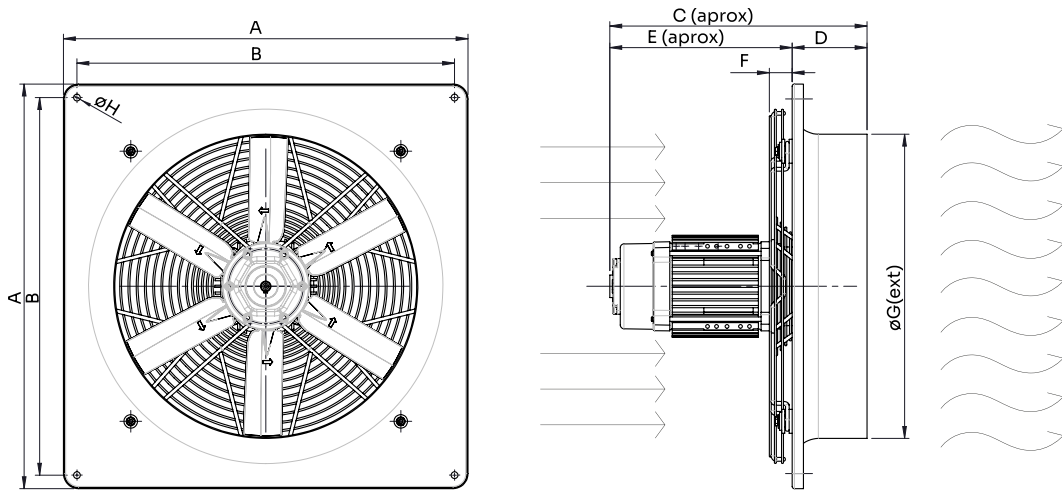
PERFORMANCE CURVE



TECHNICAL DATA

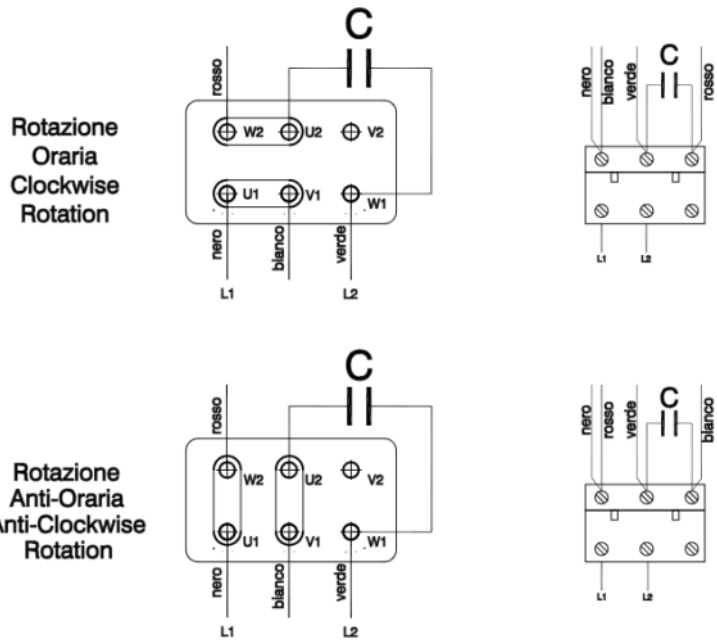
Fan							
RPM	1390	Approx. weight	6.5 kg	Max. Flow	3520 m ³ /h		
Motor							
Power	0,18 kW	RPM	1390	I max. (230V)	1,75 A	Size	71
Efficiency (%)	62 %	FP	0.84				

DIMENSIONS



Dimensions (mm)									
A	460	B	392	C	329.5	D	86	E	243.5
F	31.5	G	366	H	9				

WIRING DIAGRAM



ACCESSORIES

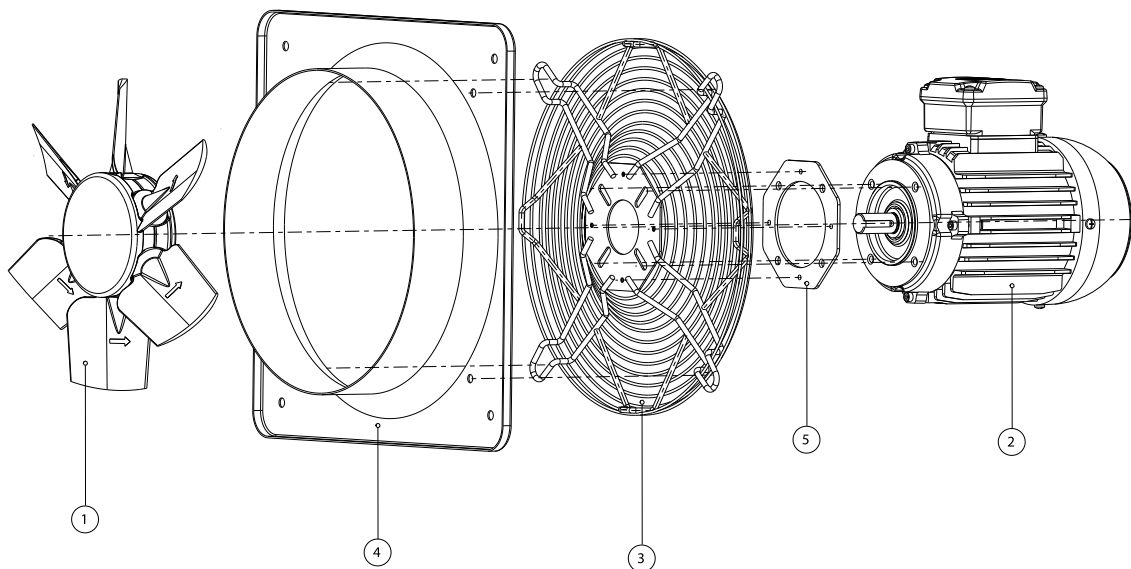


Outlet protection guard for axial fans
RP0 35
REF: 980000035



ATEX SWITCH
INT 16 ATEX
REF: 510200016X

SPARE PARTS



	Code	Model	Qty
2	721601118M051	MOTOR 0,18KW M4 B14	x1